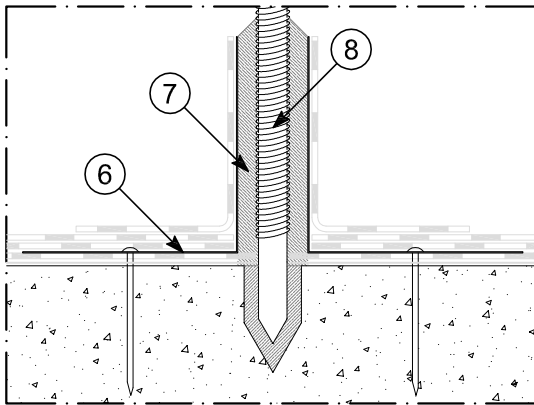
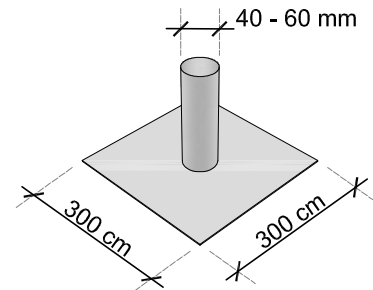


# Drawing B-1021

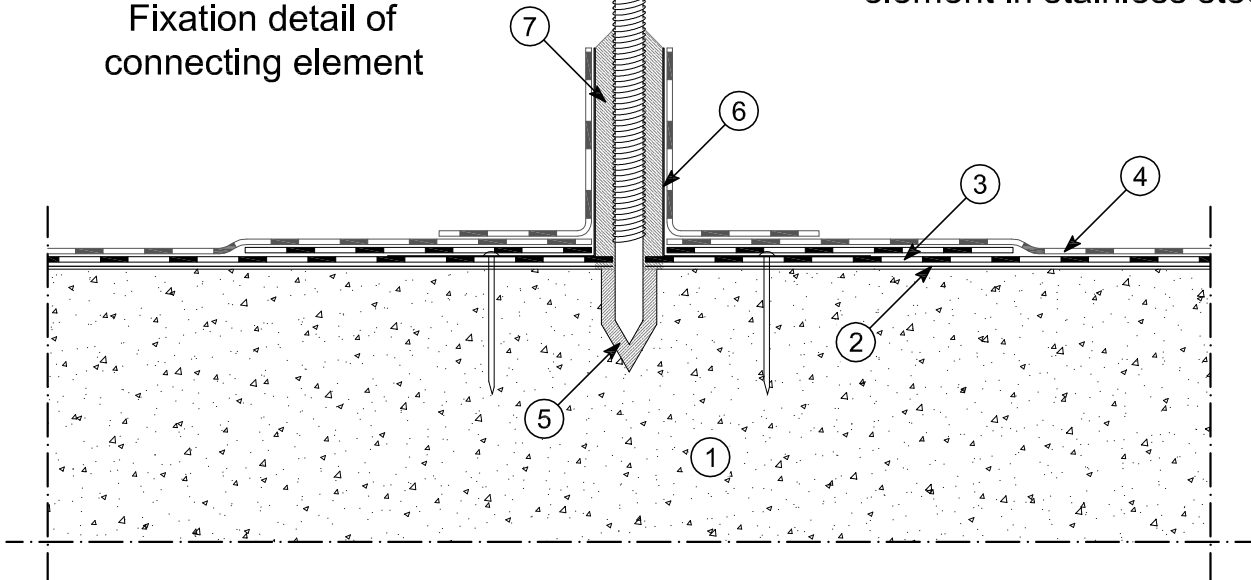
## Connection with threaded bar, anchorage system for solar panel



Fixation detail of connecting element



Detail of connecting element in stainless steel



- ① Structure
- ② Bituminous primer POLYPRIMER HP 45 PRO
- ③ Bituminous membrane (1st layer)
- ④ Bituminous membrane with mineral white surface (2nd layer)
- ⑤ Chemical grouting
- ⑥ Connecting element in stainless steel
- ⑦ MAPEI metal to metal sealant
- ⑧ Threaded bar

05.03.2012

reproduction prohibited  
without cite the source